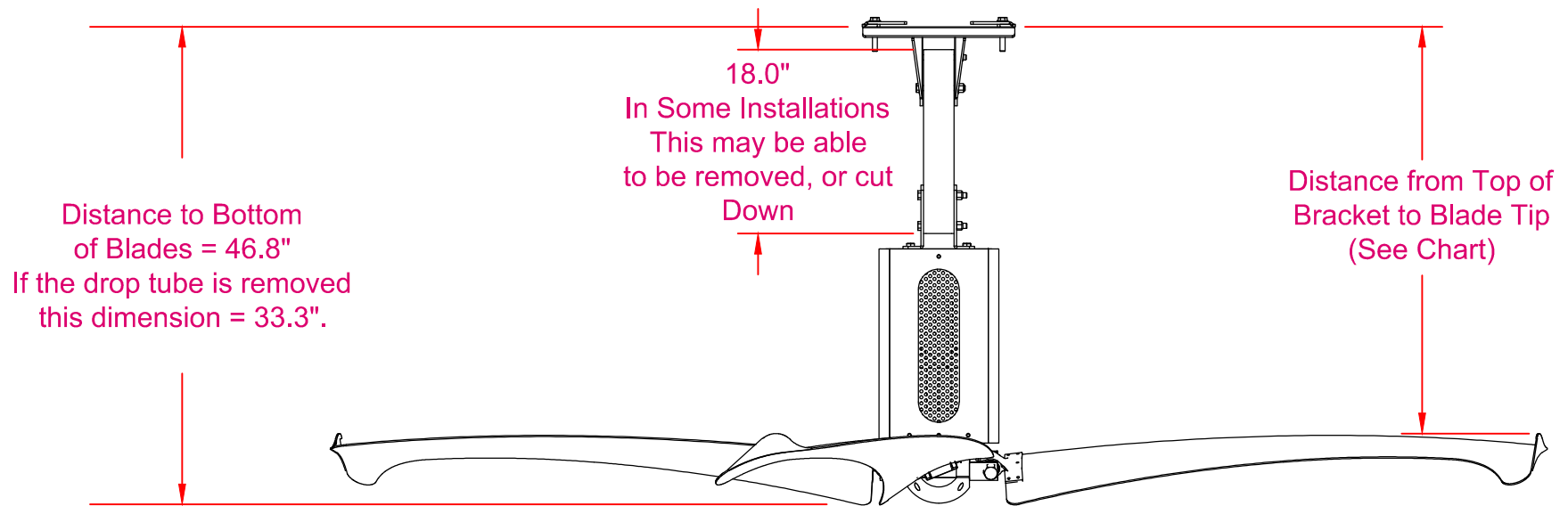


## COMMERCIAL BLADETEC



Commercial Fan				Distance From Top of Bracket to Blade Tip*	
Diameter ft (mm)	Airflow 3 Blade CFM (CMH)	Speed RPM	Weight lb (kg)	At Rest in (mm)	Full RPM in (mm)
8' (2438)	77,000 (131,000)	20-120	140 (63.6)	40.0 (1016)	40.0 (1016)
10' (3048)	91,000 (154,600)	17-100	145 (65.9)	40.0 (1016)	39.25 (997)
12' (3658)	93,000 (158,000)	13-80	150 (68.2)	40.0 (1016)	38.5 (978)

\*OPTIONAL EXTENSION KIT AVAILABLE TO INCREASE DIMENSION IF NECESSARY.